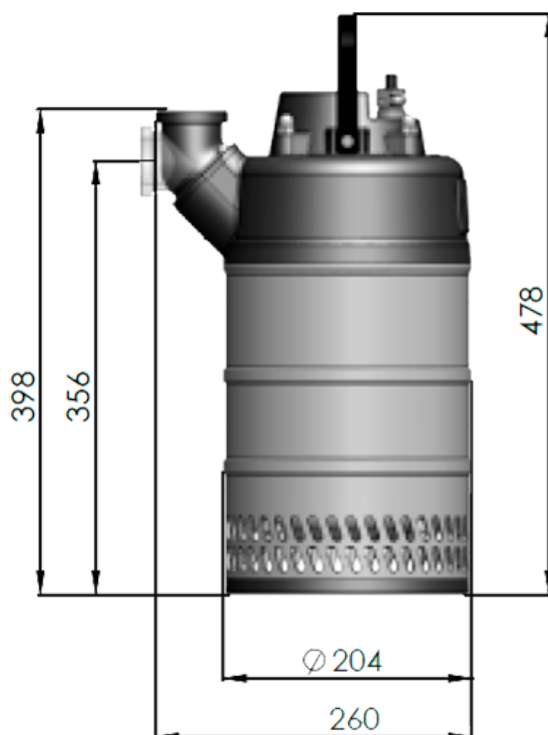


Article number: 717022015005032

Description: Dreno KAPPA K150.2.50 T - N  
1,5kW 3x400V 50Hz 2"

## Measures

---



Type = K150.2.50 T - N